



This installation guide applies to this part n° and vehicles:

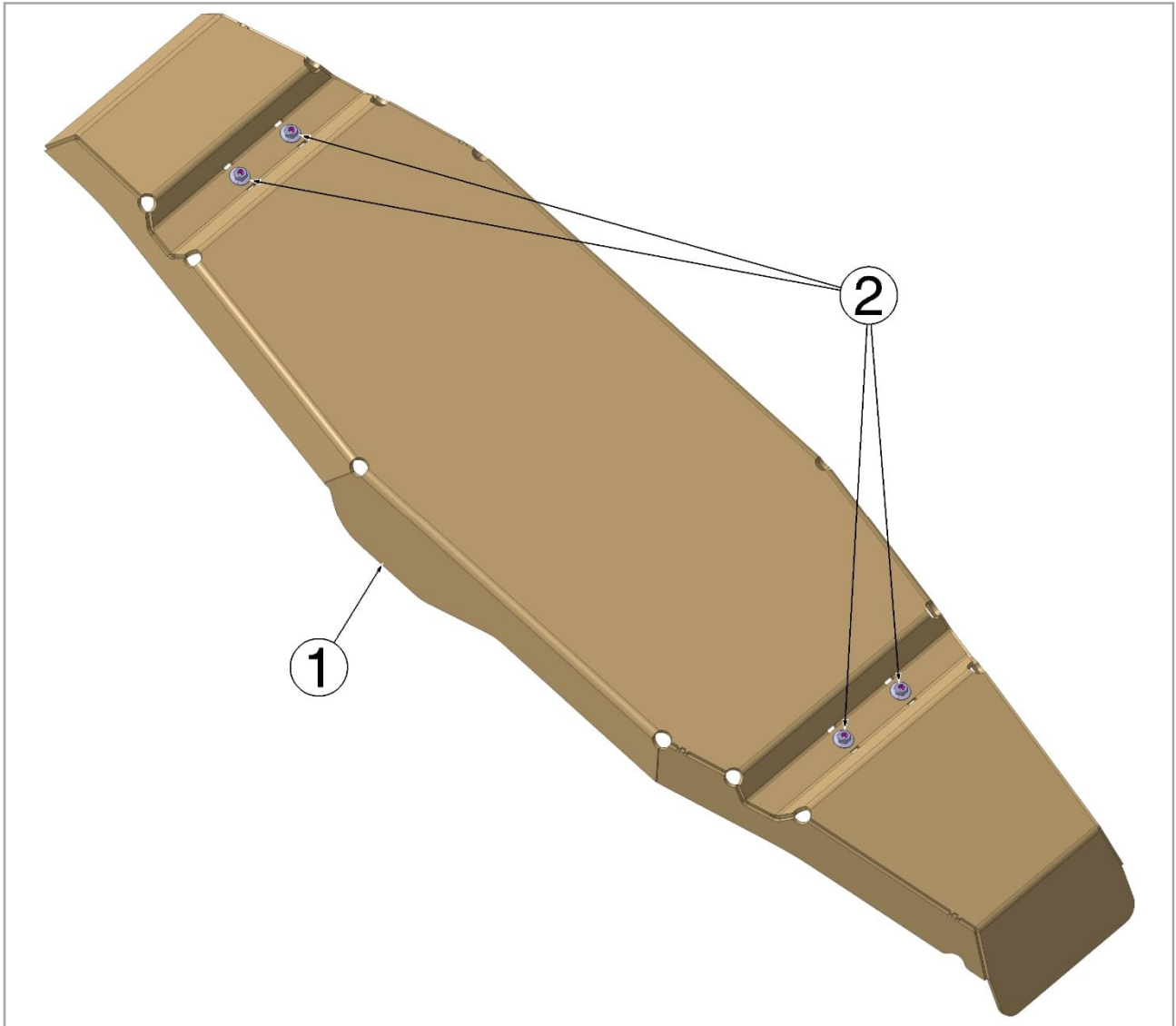
1472 0001 Amarok 2023 – Protective Plate made of 5 mm Aluminium  
for the Fuel Tank

This parts package also fits all Ford Ranger trim levels – XL to PLATINUM –  
from model year 2023.



Parts list:

1472 0001 Aluminium Fuel Tank Protection Plate



Pos.	Part no.	Designation	Quantity
1	14720100	Fuel tank protection plate	1
2	17100242	Hexagonal collar nut M8	4



## Important

To ensure proper function and optimal quality of our parts, their installation must be done in accordance with this installation guide in a professional workshop and according to the car manufacturer's specifications. Seikel GmbH and its employees shall not be responsible for damage and its consequences of any nature, which are caused due to non-observance or ignorance of these guidelines. Warranties shall be void for incorrectly performed installations.

*In order to maintain driving safety and functioning of all moving and electrical parts, we recommend keeping the vehicle underbody free of heavy contaminations. This applies especially after every use in difficult terrain with e.g. mud, sand/gravel and water crossings.*

*Otherwise, it is a good idea to clean the underbody regularly, e.g. at the end of the winter half-year.*

*For this, existing protective plates of the vehicle underbody (e.g. engine, gearbox, tank & rear axle) should be dismantled beforehand.*

## SEIKEL warranty certificate through product registration

When you purchase and install a SEIKEL product, you need a warranty certificate so that we can cover costs in the event of a warranty claim. You can download this warranty certificate from our website at [www.seikel.de/downloads](http://www.seikel.de/downloads). Please fill out the form and return it to us by e-mail or fax. This is the only way to ensure that we can cover the costs in the event of a warranty or guarantee claim.

The certificate is valid for both - commercial and private customers.

## Installation instructions

The exact working steps as well as tightening torques are to be taken from the instructions of the respective vehicle manufacturer. In case of deviations, our specifications of Seikel GmbH apply.



Best practise applies to Volkswagen Amarok and Ford Ranger

Dismantle the standard plastic cover of the fuel tank.



Secure the SEIKEL protective plate to the tank retaining straps with the four supplied M8 collar nuts and tighten according to the specifications of the vehicle manufacturer.